
STABILIZED

*3 AXIS GYRO STABILIZED WITH QUICK
TUNING FOR VARIOUS CONDITIONS*

WEATHER SEALED

*ALL WEATHER DESIGN AND SEALS
FOR INCLEMENT SHOOTING CONDITIONS*

EX 300



IP66 WEATHER RESISTANT

*HERMETICALLY SEALED IP66
OPERATIONAL TEMP: -20C | +40C
LABYRINTH SEALED O-RINGS
SEALED BATTERY BAY*

WIRELESS VIDEO

*4K RF VIDEO INTEGRATION ALLOWS
4K60P WIRELESS TRANSMISSION ALL
ENCLOSED WITHIN THE HOUSING*



EX300

CAMERA SPECS

The Sony 4K60p global shutter sensor provides 12 stops (73.6 dB) of dynamic range, the camera also allows LUTS to be applied, with provision for a variety of gamma curves, including REC709, REC2020, HLog.

SONY 1" CMOS SENSOR

The beating heart of the EX300 is the beautiful 1" Sony sensor and precision Canon 4K glass.

With global shutter, 4K/UHD @ 60P and OCP camera control, we have engineered a professional broadcast solution into an extremely compact form factor.

12X 200M

CANON 4K 4.3 / 12X 200M

SENSOR SPECS

4K UHD 1" SENSOR

Output: 4k 24p, 30p 59.94 and 60p, UHD, 1080p, 1080i

Sensor: Sony 1" CMOS with Global Shutter

Frame Rate: Up to 60fps

Format: 10-bit 4:2:2,

Dynamic Range: 12 stops (73.6dB)

4k WIRELESS BROADCAST.

Premium, out of the box, 4k/UHD broadcast solution. Beautiful 1" Sony Sensor matched with no compromise Canon 4K zoom lens, delivers the highest quality in a compact and robust form factor.

The EX300 is the most convenient way to deliver a 4K feed from a speciality camera position without the need for multiple vendors or specialist technicians.

TOTAL WEIGHT

32 LBS 415mm (h) x 307mm (w)

The EX300 system is delivered as a ready to go broadcast solution.



WIRELESS CONTROL

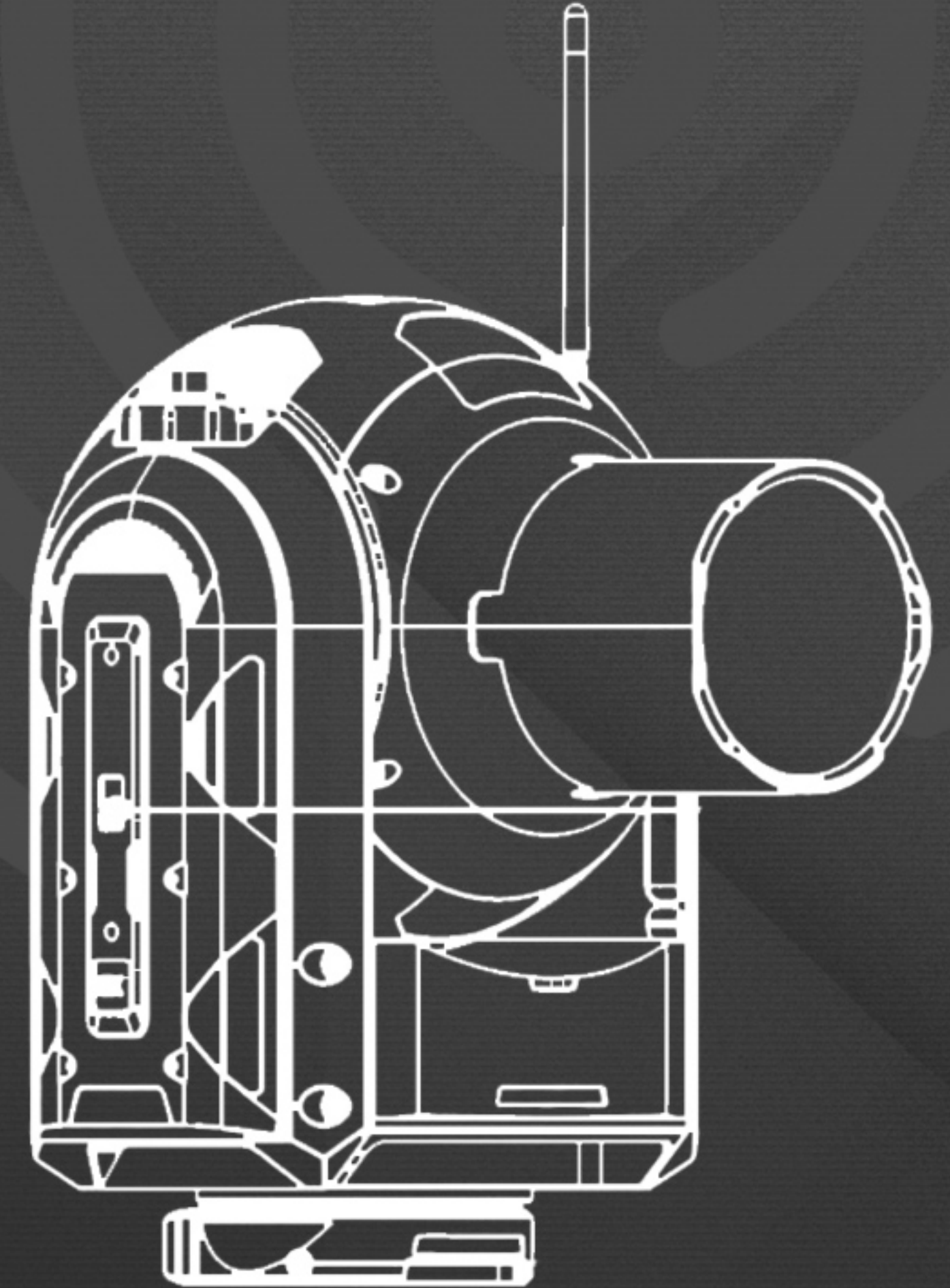
The EX system is designed for either wireless or cabled control. A Powerful 1W link can enable wireless control of the head up to 2 miles line of sight.

- ☉ Wireless ability to power down camera, video transmitter or head
- ☉ Wireless control of transmitter power
- ☉ Frequency: 410 to 475Mhz licensed band or 902 to 928MHZ unlicensed.

EX300



WIRELESS CONTROL



CAMERA CONTROL ☉

RCP
INTEGRATED OR EXTERNAL

WIRELESS VIDEO ☉

4K
ENCODER 4K/60

LONG RANGE RADIO ☉

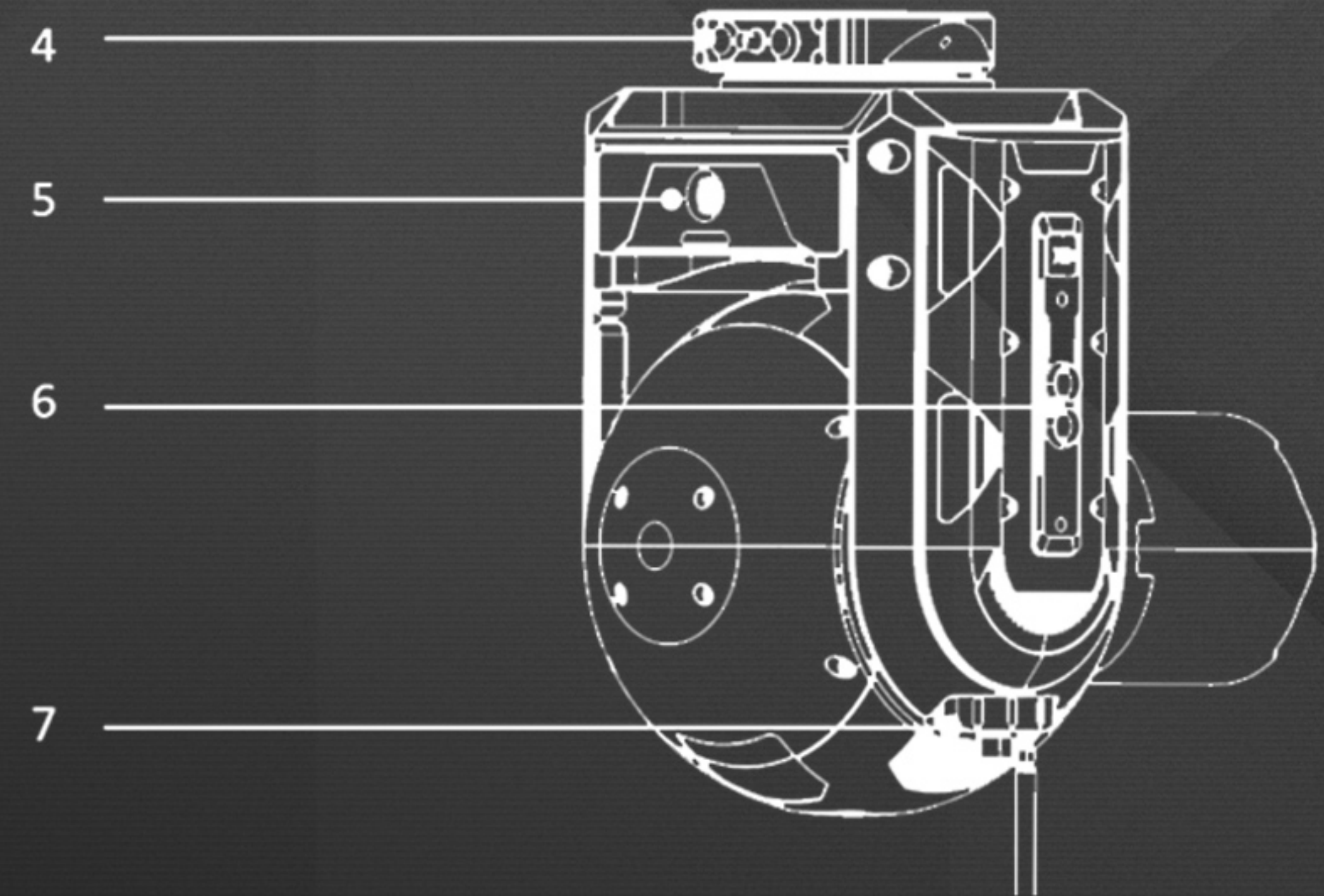
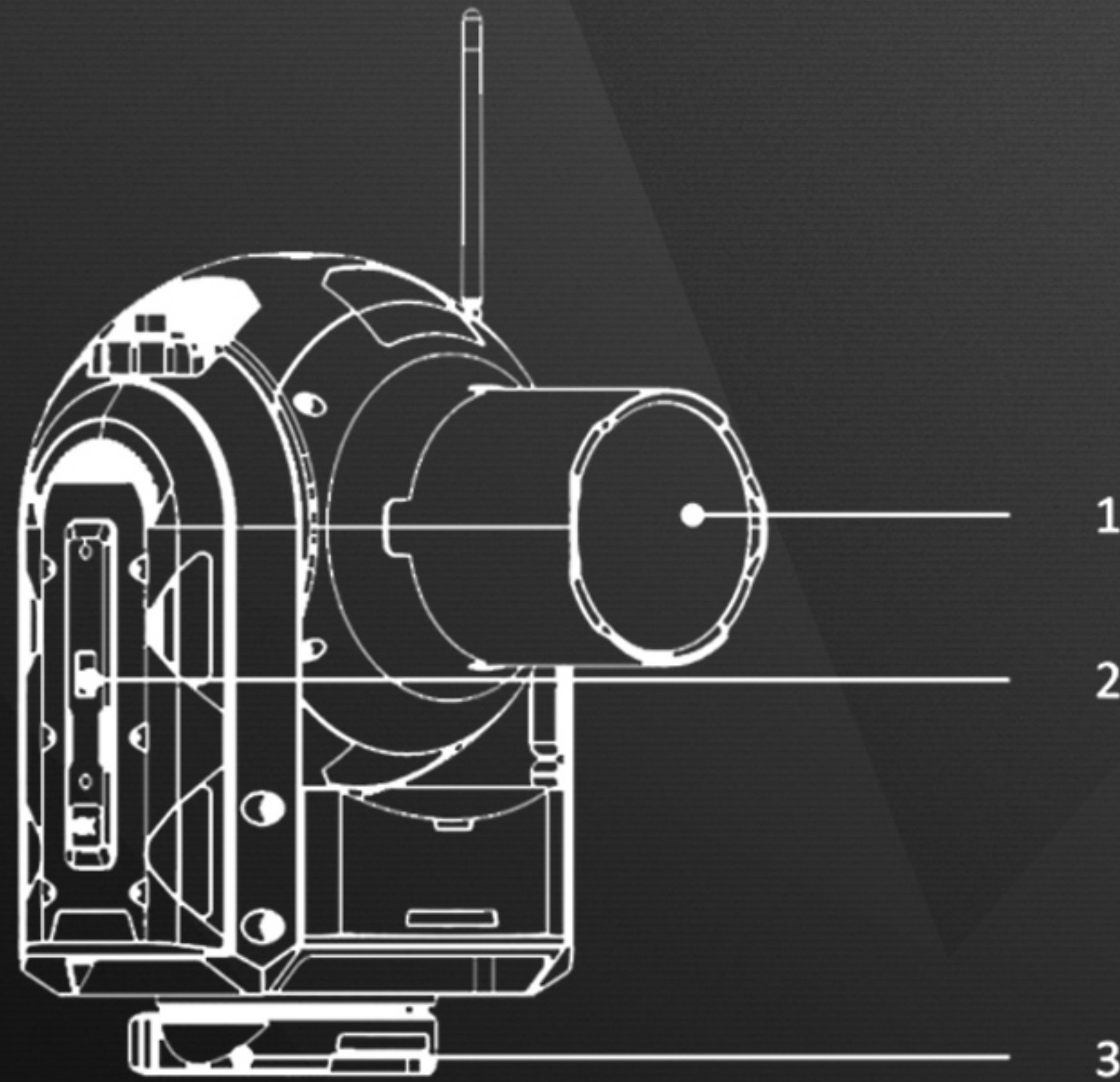
1 WATT
2 MILE RANGE (LOS)

EX300

EX300

PUSH TO START. ITS THAT SIMPLE.

Out of the box, To the control room
in minutes. Simply push one button
to power on everything.



EX PHYSICAL LAYOUT

1. 112mm clear filter (interchangeable with ND and UV filters)
2. Digital status display
3. Quick release dovetail
4. Video, power and data connector port

5. Battery cover. Twin hot swappable NP1 battery bay.
6. Power button
7. RF antenna port, head and camera control.

EX300

SNOUT X 11"

270mm

H X 16"

415mm

W X 12"

307mm

HEAD WEIGHT

35 LBS READY TO ROLL

The 3 axis, gyro-stabilised head is precision engineered from aircraft grade aluminium.

EX300 SPECS

DEMENSIONS / WEIGHT.

415mm (h) x 307mm (w)